

| Item No. | Type | Sub | Part No. | Description (*see Service Changes on the bottom) | Qty | Unit |
|----------|------|------|----------|--|-----|------|
| 1 | | | 253989-3 | SPRING WASHER 12 | 4 | PC. |
| 2 | | | 265997-2 | * HEX. SOCKET HEAD BOLT M12X40 | 4 | PC. |
| 3 | | | 256219-1 | PIN 4 | 1 | PC. |
| 4 | 1 | | 322560-5 | * RETAINER RING | 1 | PC. |
| | 2 | | 322699-4 | * RETAINER RING | 1 | PC. |
| 5 | | | 231281-7 | COMPRESSION SPRING 15 | 1 | PC. |
| 6 | | | 322567-1 | TOOL RETAINER | 1 | PC. |
| 7 | 1 | | 322514-2 | * TOOL HOLDER - N/L/A | 1 | PC. |
| | 2 | | 322692-8 | * TOOL HOLDER | 1 | PC. |
| 8 | | | 213755-0 | O RING 75 | 1 | PC. |
| 9 | | | 213517-6 | X RING 40 | 1 | PC. |
| 10 | 1 | | 322384-9 | * IMPACT BOLT | 1 | PC. |
| | 2 | | 322693-6 | * IMPACT BOLT | 1 | PC. |
| 11 | | | 213717-8 | O RING 63 | 1 | PC. |
| 12 | 1 | | 322385-7 | * IMPACT BOLT HOLDER | 1 | PC. |
| | 2 | | 322931-6 | * IMPACT BOLT HOLDER | 1 | PC. |
| 13 | | | 262050-5 | RUBBER RING 54 | 1 | PC. |
| 14 | 1 | | 322386-5 | * CYLINDER B | 1 | PC. |
| | 2 | | 322930-8 | * CYLINDER B | 1 | PC. |
| 15 | | | 213660-1 | O RING 53 | 1 | PC. |
| 16 | | | 261084-5 | RUBBER WASHER 63 | 1 | PC. |
| 17 | | | 265956-6 | SET BOLT M10X120 | 1 | PC. |
| 18 | | | 414819-5 | HANDLE BASE | 1 | PC. |
| 19 | | | 414819-5 | HANDLE BASE | 1 | PC. |
| 20 | | | 252633-9 | WING NUT M10 | 1 | PC. |
| 21 | | | 421386-3 | SIDE HANDLE | 1 | PC. |
| 22 | 1 | | 316272-0 | BARREL | 1 | PC. |
| | 2 | | 318558-8 | BARREL | 1 | PC. |
| 23 | | | 322383-1 | STRIKER | 1 | PC. |
| 24 | | | 213564-7 | O RING 45 | 1 | PC. |
| 25 | | | 322387-3 | PISTON CYLINDER | 1 | PC. |
| 26 | | | 256209-4 | PIN 10 | 1 | PC. |
| 27 | | | 213473-0 | O RING 33 | 1 | PC. |
| 28 | | | 922376-4 | HEX. SOCKET HEAD BOLT M6X55 | 2 | PC. |
| 29 | | | 941152-7 | FLAT WASHER 6 | 2 | PC. |
| 30 | | | 414646-0 | UPPER HANDLE | 1 | PC. |
| 31 | | | 421373-2 | RUBBER | 1 | PC. |
| 32 | | | 182429-3 | HANDLE SET | 1 | SET |
| | | INC. | | Item No. 37,40,41 | | |
| 33 | | | 421265-5 | DUST COVER | 1 | PC. |
| 34 | | | 651145-3 | SWITCH C3D-H-MS | 1 | PC. |
| 35 | | | 231298-0 | COMPRESSION SPRING 6 | 1 | PC. |
| 36 | | | 414885-2 | LOCK BUTTON | 1 | PC. |
| 37 | | | 182429-3 | HANDLE SET | 1 | SET |
| | | INC. | | Item No. 32,40,41 | | |
| 38 | | | 911248-8 | PAN HEAD SCREW M5X28 | 2 | PC. |
| 39 | | | 322464-1 | LOCK PIN | 1 | PC. |
| 40 | | | 263002-9 | RUBBER PIN 4 | 1 | PC. |
| 41 | | | 263002-9 | RUBBER PIN 4 | 1 | PC. |
| 42 | | | 421373-2 | RUBBER | 1 | PC. |
| 43 | | | 182405-7 | LOWER HANDLE SET | 1 | SET |
| 44 | 1 | | 682505-8 | CORD GUARD 10-90 | 1 | PC. |
| | 2 | | 682568-4 | CORD GUARD 10 | 1 | PC. |
| 45 | | | 664471-1 | CORD W/PLUG 2P-14-5.0M | 1 | PC. |
| | Opt. | | 664463-0 | CORD W/PLUG 2P-14-2.5M, SJ (Option) | 1 | PC. |
| 48 | | | 922356-0 | HEX. SOCKET HEAD BOLT M6X35 | 2 | PC. |

| Item No. | Type | Sub | Part No. | Description (*see Service Changes on the bottom) | Qty | Unit |
|----------|------|------|----------|--|-----|------|
| 49 | | | 941152-7 | FLAT WASHER 6 | 2 | PC. |
| 50 | | | 911248-8 | PAN HEAD SCREW M5X28 | 1 | PC. |
| 52 | 1 | | 265941-9 | TAPPING SCREW BT 4X18 | 2 | PC. |
| | 2 | | 265995-6 | TAPPING SCREW 4X18 | 2 | PC. |
| 53 | | | 687052-4 | STRAIN RELIEF | 1 | PC. |
| 54 | | | 687051-6 | STRAIN RELIEF | 1 | PC. |
| 55 | | | 159189-2 | GEAR HOUSING COMPLETE | 1 | PC. |
| | | INC. | | Item No. 69 | | |
| 56 | | | 256111-1 | PIN 6 | 1 | PC. |
| 57 | 1 | | 211106-1 | BALL BEARING 6201LLB (W/Rubber Sealing) | 1 | PC. |
| | 2 | | 211109-5 | BALL BEARING 6201 (W/O Rubber Sealing) | 1 | PC. |
| 58 | | | 221781-5 | HELICAL GEAR 37 | 1 | PC. |
| 59 | 1 | | 211106-1 | BALL BEARING 6201LLB (W/Rubber Sealing) | 1 | PC. |
| | 2 | | 211109-5 | BALL BEARING 6201 (W/O Rubber Sealing) | 1 | PC. |
| 60 | 1 | | 316271-2 | GEAR HOUSING COVER - N/L/A | 1 | PC. |
| | 2 | | 316995-0 | GEAR HOUSING COVER | 1 | PC. |
| 61 | | | 265367-5 | HEX. SOCKET HEAD BOLT M8X40 | 4 | PC. |
| 62 | | | 953106-2 | RIVET 0-5 (OLD) | 4 | PC. |
| 64 | | | 922376-4 | HEX. SOCKET HEAD BOLT M6X55 | 4 | PC. |
| 65 | 1 | | 211211-4 | BALL BEARING 6302 (W/Rubber Sealing) | 1 | PC. |
| | 2 | | 211214-8 | BALL BEARING 6302 W/O Rubber Sealing) | 1 | PC. |
| 66 | 1 | | 254038-9 | WOODRUFF KEY 4 | 2 | PC. |
| | 2 | | 254001-2 | WOODRUFF KEY 4 | 2 | PC. |
| 67 | | | 221782-3 | HELICAL GEAR 55 | 1 | PC. |
| 68 | | | 213354-8 | OIL SEAL 25 | 1 | PC. |
| 69 | | | 213460-9 | O RING 35 | 1 | PC. |
| 70 | | | 331367-8 | SEALING SCREW | 1 | PC. |
| 71 | | | 211206-7 | BALL BEARING 6202LLB | 1 | PC. |
| 72 | | | 213202-1 | DUST SEAL 15 | 1 | PC. |
| 73 | | | 241648-1 | FAN 104 | 1 | PC. |
| 74 | | | 514956-6 | ARMATURE ASS'Y 115V | 1 | PC. |
| | | INC. | | Item No. 71-73,75,76 | | |
| 75 | 1 | | 681624-7 | INSULATION WASHER - N/L/A | 1 | PC. |
| | 2 | | 681635-2 | INSULATION WASHER | 1 | PC. |
| 76 | | | 211066-7 | BALL BEARING 6200LLB | 1 | PC. |
| 77 | | | 253794-8 | FLAT WASHER 18 | 1 | PC. |
| 78 | | | 624901-4 | FIELD 115V | 1 | PC. |
| 79 | | | 213406-5 | O RING 30 | 1 | PC. |
| 80 | | | 316268-1 | REAR CASE | 1 | PC. |
| 81 | | | 922356-0 | HEX. SOCKET HEAD BOLT M6X35 | 4 | PC. |
| 82 | | | 911211-1 | PAN HEAD SCREW M5X12 | 4 | PC. |
| 83 | | | 343748-4 | HOLDER CAP PLATE | 2 | PC. |
| 84 | | | 262044-0 | RUBBER RING 12 | 2 | PC. |
| 85 | | | 643700-5 | BRUSH HOLDER CAP 7-18 | 2 | PC. |
| 86 | 1 | | 191957-7 | CARBON BRUSH CB-204 2PC/SET (W/O ORIGIN) | 1 | SET |
| | 2 | | 194992-4 | CARBON BRUSH CB-204 2PC/SET (W/ ORIGIN) | 1 | SET |
| 87 | 1 | | 159164-8 | MOTOR HOUSING COMPLETE - N/L/A | 1 | PC. |
| | | INC. | 414665-6 | FIX RING | 2 | PC. |
| | | INC. | 421374-0 | CUSHION RING - N/L/A | 2 | PC. |
| | | INC. | 643703-9 | BRUSH HOLDER - N/L/A | 2 | PC. |
| | | INC. | | Item No. 79 | | |
| 87 | 2 | | 159631-3 | MOTOR HOUSING COMPLETE | 1 | PC. |
| | | INC. | 414665-6 | FIX RING | 2 | PC. |
| | | INC. | 643711-0 | BRUSH HOLDER (OLD# 643931-6 - N/L/A) | 2 | PC. |
| | | INC. | | Item No. 79 | | |

| Item No. | Type | Sub | Part No. | Description (*see Service Changes on the bottom) | Qty | Unit |
|----------|------|------|----------|--|-----|------|
| 88 | | | 265341-3 | + HEX. BOLT M5X75 | 2 | PC. |
| 89 | 1 | | 159601-2 | CRANK HOUSING COM. | 1 | PC. |
| | 2 | | 316498-4 | CRANK HOUSING | 1 | PC. |
| 90 | | | 213755-0 | O RING 75 | 1 | PC. |
| 91 | | | 213806-9 | O RING 90 | 1 | PC. |
| 92 | | | 322381-5 | CONNECTING ROD | 1 | PC. |
| 93 | | | 212309-0 | NEEDLE BEARING 2016 | 1 | PC. |
| 94 | | | 152373-8 | CRANK SHAFT COMPLETE | 1 | PC. |
| | | INC. | 216115-5 | INNER SLEEVE 1716 | 1 | PC. |
| 95 | | | 265366-7 | HEX. SOCKET HEAD BOLT M6X22 | 4 | PC. |
| 96 | | | 316267-3 | BEARING BOX | 1 | PC. |
| 97 | | | 211359-2 | BALL BEARING 6205 | 1 | PC. |
| 98 | | | 213504-5 | O RING 40 | 1 | PC. |
| 99 | 1 | | 341397-1 | PLATE 50 | 1 | PC. |
| | 2 | | 153666-6 | PLATE 50 COMPLETE | 1 | PC. |
| 100 | | | 442009-0 | PACKING 50 | 1 | PC. |
| 101 | | | 911211-1 | PAN HEAD SCREW M5X12 | 4 | PC. |
| 102 | | | 257182-1 | * RING 12 | 4 | PC. |
| 103 | | | 261105-3 | * NYLON WASHER 42 (Added) | 1 | PC. |
| 104 | | | 684121-2 | * VINYL TUBE 10-60 (Added) | 1 | PC. |
| 200 | | | 652014-1 | P.H. SCREW M4 X 8 | 4 | PC. |
| 201 | | | 652252-5 | CLAMP WASHER | 4 | PC. |
| 202 | | | 654002-4 | EYE TERMINAL 1.25-M4 | 2 | PC. |
| 203 | | | 654005-8 | TERMINAL 2-M4 | 2 | PC. |
| 204 | | | 654510-5 | CLSD END TERM.5.5-SD | 2 | PC. |

ACCESSORIES

- See catalogue or visit www.makita.ca for other optional accessories -

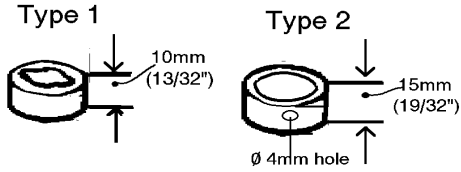
| | | | | | | |
|-----|---|--|----------|---------------------------|---|-----|
| A01 | | | 783203-8 | HEX. WRENCH 5 | 1 | PC. |
| A02 | | | 783204-6 | HEX. WRENCH 6 | 1 | PC. |
| A03 | | | 783207-0 | HEX. WRENCH 10 | 1 | PC. |
| A04 | 1 | | 798029-5 | BULL POINT 30-410 - N/L/A | 1 | PC. |
| | 2 | | A-80466 | BULL POINT 30-410 | 1 | PC. |
| A05 | | | 182714-4 | METAL CARRYING CASE | 1 | PC. |
| A06 | | | A-90582 | HAMMER GREASE 30CC(1 OZ) | 1 | PC. |

SERVICE CHANGES

1. Changes on Retainer Ring

| Item No. | Description | Type 1 | Type 2 |
|----------|---------------|----------|----------|
| 4 | Retainer Ring | 322560-5 | 322699-4 |
| | Serial No. | ~ 8742E | 8743E ~ |

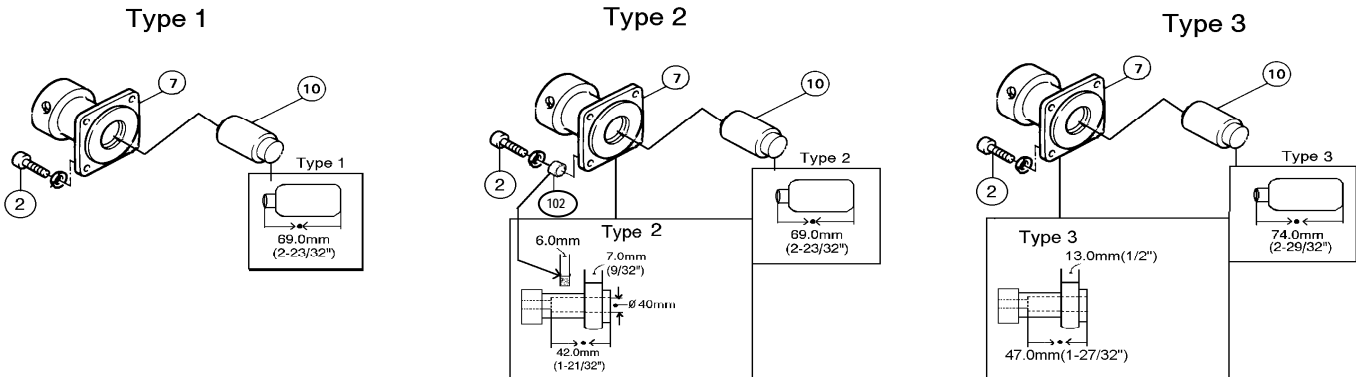
Above parts are completely interchangeable as a set.



2. Changes on Tool Holder, Impact Bolt, etc.

| Item No. | Description | Type 1 | Type 2 | Type 3 |
|----------|-------------|------------------|-----------|----------|
| 2 | H.S.H.Bolt | 265368-3 | | 265997-2 |
| 7 | Tool Holder | 322514-2 (N/L/A) | | 322692-8 |
| 10 | Impact Bolt | 322384-9 | | 322693-6 |
| 102 | Ring 12 | ----- | 257182-1 | ----- |
| | Serial No. | ~6387 | 6388~8681 | 8682~ |

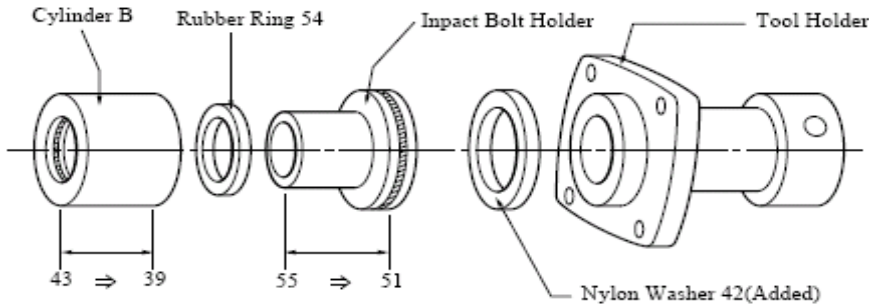
Above parts are completely interchangeable as a set.



3. Changes on Impact Bolt Holder, Cylinder B and Addition of Nylon Washer

| Item No. | Description | Type 1 | Type 2 |
|----------|--------------------|------------------|----------|
| 12 | Impact Bolt Holder | 322385-7 (N/L/A) | 322931-6 |
| 14 | Cylinder B | 322386-5 (N/L/A) | 322930-8 |
| 103 | Nylon Washer 42 | ----- | 261105-3 |
| | Serial No. | ~17340 | 17341~ |

Above parts are completely interchangeable as a set.



3. Addition of Vinyl Tube

| Item No. | Description | Type 1 | Type 2 |
|----------|-------------|--------|----------|
| 104 | Vinyl tube | ----- | 684121-2 |

